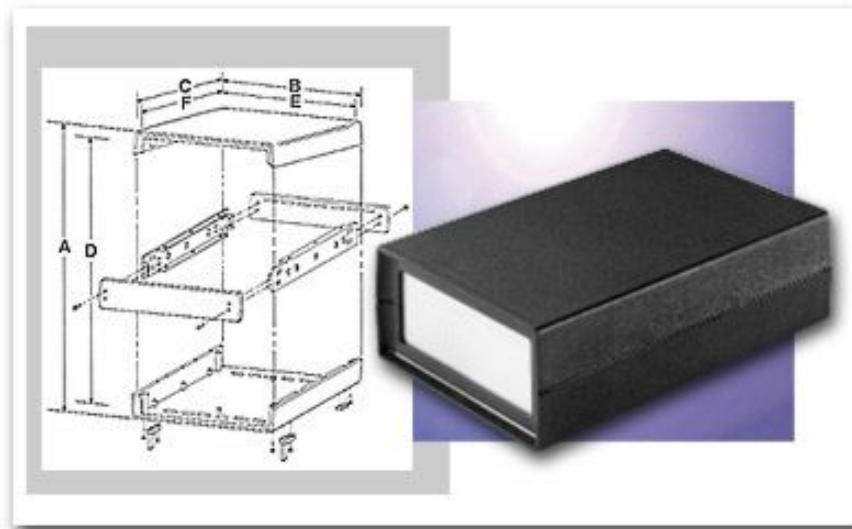


Plastic Boxes  
**Plasticase**  
**Style C**



These sturdy enclosures come in a variety of styles and sizes and are constructed of high quality plastic materials. Housing designs allow complete accessibility to internal components. Contact BUD factory for optional colors, materials, EMI/RFI shielding and custom modifications.

**Design Features**

Style C Black ABS covers, UL94-HB flammability rating Clear anodized aluminium front and rear panels  
 Internal Steel Channels provide extra strength and ease of assembly Formed Guide Tabs accept vertical or horizontal circuit boards Shipped Assembled

Style C									
Catalog Number		A	B	C	D	E	F	Size	Weight (Ozs.)
PC-11432		1.61"	3.54"	5.71"	1.42"	3.21"	5.12"	1.42"x 3.28"x .04"	7
PC-11438		4.02"	9.72"	8.66"	3.74"	9.27"	8.07"	3.83"x 9.46"x .04"	22

**BUD INDUSTRIES INC.**

**P.O. Box 998**

**Willoughby, Ohio 44094**

**Phone: 440-946-3200 Fax: 440-951-4015**

**E-Mail: [saleseast@budind.com](mailto:saleseast@budind.com)**

PART NAME

PLASTICASE (STYLE C)

PART No.

PC-11432

**MATERIAL:**

TOP & BOTTOM \_\_\_\_\_ IMPACT RESISTANT ABS  
FRONT & REAR PANELS \_\_\_\_\_ 0.047 THK. ALUMINUM  
INTERNAL CHANNELS \_\_\_\_\_ 18 GA. STEEL  
FEET \_\_\_\_\_ PLASTIC

PLASTIC ENCLOSURE

**FINISH:**

TOP, BOTTOM & FEET \_\_\_\_\_ BLACK  
FRONT & REAR PANELS \_\_\_\_\_ CLEAR ANODIZED  
INTERNAL CHANNELS \_\_\_\_\_ ZINC PLATED

EIGHT (8) M2.5 x 4mm LG. SCREWS SUPPLIED FOR ASSEMBLING PANELS TO INTERNAL CHANNELS.

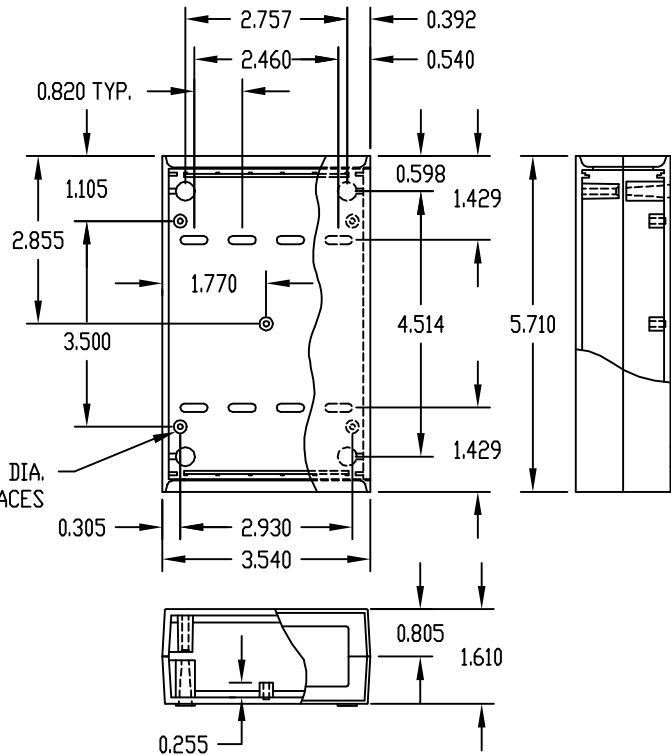
FOUR (4) M3.5 x 30mm LG. SCREWS SUPPLIED FOR ASSEMBLING TOP.

FOUR (4) FEET SUPPLIED.

MOUNTING BOSSES USE EITHER M2.5 METRIC OR #4 STD. SHEET METAL SCREWS x 0.250" LG. (NOT SUPPLIED)

**NOTE:** ALL DIMENSIONS HAVE ±0.015 TOLERANCE UNLESS OTHERWISE SPECIFIED.

0.227 DIA. BOSS WITH 0.090 DIA. HOLE x 0.280 DEEP - (5) PLACES



INTERNAL METAL FRAME

